

SmartVu 5MP / Full HD Pan, Tilt, Zoom Camera with IR

DATASHEET



No organization should be left exposed to external and internal threats because the cost of leading-edge CCTV is too prohibitive.

Designed to provide secure, easily installed, feature-rich HD recording that protects budgets.

Suitable for both indoor and outdoor use, with low light capability. When configured with the NetVu NVR portfolio and NetVu connected technology, the SmartVu range provides a powerful suite of enterprise-scale capabilities and is safeguarded by NetVu Closed IPTV® multi-layered cyber protection.

The range has the benefit of remote focus capability. This mitigates the need for camera head focusing, saving both time and cost, while ensuring the highest quality IP installation.

KEY FEATURES

- 1920x1080p HD Resolution.
- 30 x Optical Zoom.
- 120m IR Range.
- JPEG / H.264 Compression.
- Closed IPTV, when used with Network System Extender.
- MultiMode – Save up to 50% on Recording.
- 12VDC.
- Alarm Handling (with NetVu Connected DVR/NVR).
- IP66 Rated.
- Up to 5 Streams Generated.
- Video Motion Detection (VMD) and Activity Detection.

Technical Specification

Image Sensor	1/2.8" 5MP / 1080p IMX335 Starvis sensor.
Active Pixels	2592(H) x 1944(V).
Effective Pixels	1920 x 1080p. / 2592 x 1520p.
AGC	Automatic and Manual.
Day/Night control	Automatic.
Day / Night	True Day / Night with ICR Filter.
WDR	>80dB. + HDR modes.
Signal to Noise Ratio	>50dB.
Minimum Illumination	0.001Lux (F1.2).
Electronic Shutter	Automatic or User selectable (1/5 ^{ths} to 1/50,000 ^{ths}). 50 or 60Hz. Software Selectable.
Gain control	Automatic or Fixed. 8dB to 102dB.
Light Compensation	BLC / HLC.
Compression	JPEG / MJPEG, H.264. (Up to 5 simultaneous streaming formats).
IR Distance	395' (120m).
Interface	One 10M/100M Self-Adaption Ethernet Port, RJ-45.
Lens operation	Autofocus Zoom Block.
Focal Length	4.7mm to 94mm, 30x Zoom.
Storage	Internal SD Card Integrated Recording (up to 128GB) ('SXX' Option).

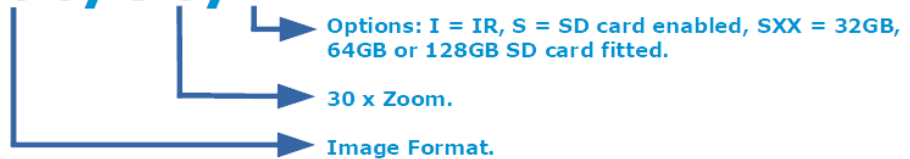
Technical Specification

Alarms and relays	1 x Alarm Input. 1 x Alarm Output.
Alarm Reporting	NetVu Connected Remote Alarm Reporting. SNMP Remote Alarm Reporting.
Analytics	VMD and Activity Detection integrated with Activity Search. Additional Analytics including ALPR via near side servers.
Network Protocols	NetVu Connected Advanced Streaming, NetVu Connected Remote Codec, HTTP/HTTPS, TCP/IP, UDP/IP, RTSP/RTP Unicast and Multicast, Telnet / SSH, FTP, PoE, NTP, SNMP, Zeroconf, ModBus, AoE.
Audio	1 x Audio Input. 1 x Audio Output.

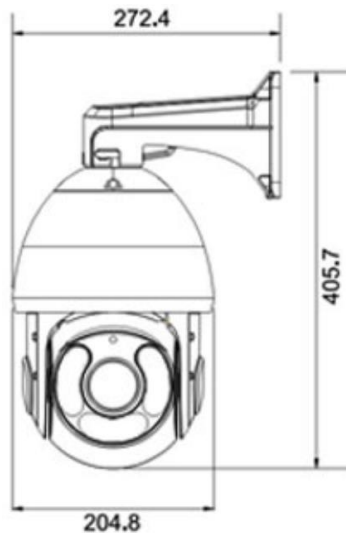
General Specifications

Power	24VAC Terminal Input. 48W.
Ingress Protection Rating	IP66.
Operating Temperature	Operating: -4°F to 140°F. Storage: -4°F to 140°F (-20C to 60C).
Operating Humidity	10% to 90% Relative Humidity (Non-Condensing).
Approvals	CE marked. Complies with part 15 of FCC CFR47. RoHS Compliant.
Product Dimensions	8 ^{1/2} " x 12 ^{1/4} " (205mm x 311mm).
Product Weight	12lb, 2oz. (5.5kg).
Warranty	1 year, plus additional 1 year free when the product is registered.

SV-SD8/5000/30/I



TECHNICAL DRAWING



Version 2.2 © Copyright NetVu Limited. 10/30/2019. Design and specification subject to change without notice. E. and O.E.

3855Centerview Dr. – Suite 400 B, Chantilly, VA 20151 USA.

T: +1 703-904-7738 E: custsupport@dedicatedmicros.com www.dedicatedmicros.com

In partnership with

