

SmartVu 4MP Varifocal or Fixed IR Integrated Bullet Camera

DATASHEET



No organization should be left exposed to external and internal threats because the cost of leading-edge CCTV is too prohibitive.

Designed to provide secure, easily installed, feature-rich HD recording that protects budgets.

Suitable for both indoor and outdoor use, with low light capability. When configured with the NetVu NVR portfolio and NetVu connected technology, the SmartVu range provides a powerful suite of enterprise-scale capabilities and is safeguarded by NetVu Closed IPTV® multi-layered cyber protection.

The range has the benefit of remote focus capability. This mitigates the need for camera head focusing, saving both time and cost, while ensuring the highest quality IP installation.

KEY FEATURES

- 2592 x 1520 HD Resolution.
- 2.8 to 12mm or 6 to 22mm Motorized Varifocal Lens with Remote and Auto Focus capability.
- Optional 2.8mm fixed lens.
- MJPEG / JPEG / H264 Compression.
- Closed IPTV® Capable in conjunction with the NetVu Secure Network
- Power over Ethernet (PoE) and 12VDC.
- MultiMode function; save up to 50% on memory usage for recording.
- Alarm Handling in conjunction with the NetVu Connected DVR/NVR.
- 80' (25m) IR Range.
- IP66 rated.
- Integrated cable management.
- Exceptional low-light performance for the Starvis sensor version.

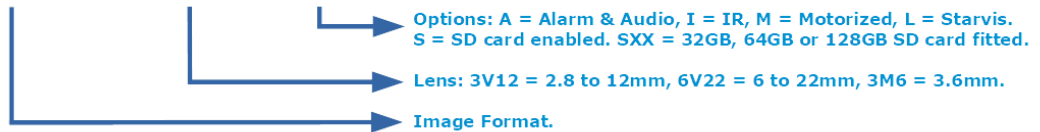
Technical Specification

	SV-IB/4000/3V12/IM	SV-IB/4000/3V12/IML
Image Sensor	1/3" 4MP CMOS sensor.	1/3" 4MP Starvis sensor.
Active Pixels	1920 (H) x 1080 (V).	
Effective Pixels	1920 x 1080p.	
AGC	Automatic and Manual.	
Day/Night control	Automatic.	
Day / Night	True Day / Night with ICR Filter.	
WDR	>80dB.	dWDR >120dB.
Signal to Noise Ratio	>50dB.	
Minimum Illumination	Color Mode 0.05Lux (F1.2). B&W Mode 0Lux (IR LED on).	Color Mode 0.001Lux (F1.2).
Electronic Shutter	Automatic or User selectable (1/5 th s to 1/20,000 th s). 50 or 60Hz. Software Selectable.	
Gain control	Automatic or Fixed. 8dB to 102dB.	
Light Compensation	BLC / HLC.	
Compression	JPEG / MJPEG, H.264. (Up to 5 simultaneous streaming formats).	
IR Distance	25m (82').	
Interface	One 10M/100M Self-Adaption Ethernet Port, RJ-45.	
Lens operation	Motorized Autofocus Varifocal / Fixed.	
Focal Length	SV-IB/4000/3V12/ 2.8 to 12mm.	SV-IB/4000/6V22/ 6 to 22mm. SV-IB/4000/3M6/ 3.6mm fixed.

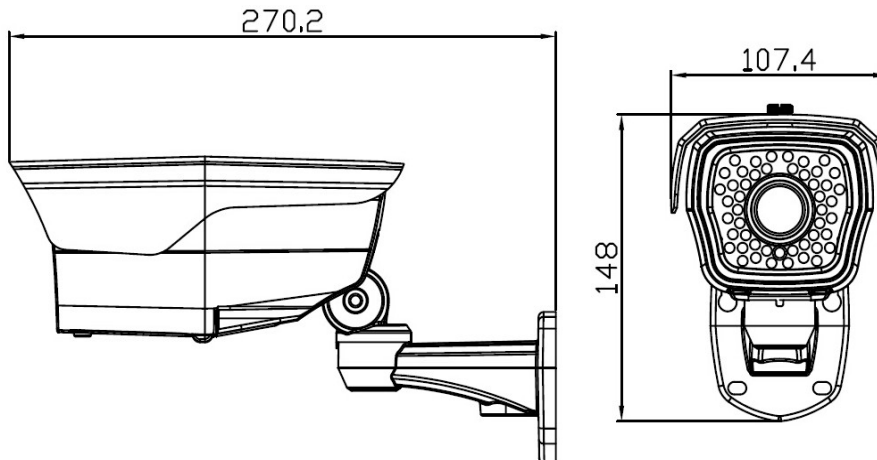
Technical Specification

Storage	Internal SD Card Integrated Recording (up to 128GB) ('SXX' Option).
Alarms and relays	1 x Alarm Input. 1 x Alarm Output ('A' option).
Alarm Reporting	NetVu Connected Remote Alarm Reporting. SNMP Remote Alarm Reporting.
Analytics	VMD and Activity Detection integrated with Activity Search. Additional Analytics including ALPR via near side servers.
Network Protocols	NetVu Connected Advanced Streaming, NetVu Connected Remote Codec, HTTP/HTTPS, TCP/IP, UDP/IP, RTSP/RTP Unicast and Multicast, Telnet / SSH, FTP, PoE, NTP, SNMP, Zeroconf, ModBus, AoE.
Audio	1 x Audio Input. 1 x Audio Output. ('A' option).
General Specifications	
Power	12VDC Terminal Input / PoE Class 3. 8W.
Ingress Protection Rating	IP66.
Operating Temperature	Operating: -4°F to 140°F. Storage: -4°F to 140°F. (-20C to 60C).
Operating Humidity	0% to 90% Relative Humidity (Non-Condensing).
Approvals	CE marked. Complies with part 15 of FCC CFR47. RoHS Compliant.
Product Dimensions	10 ⁵ / ₈ " x 4 ³ / ₁₆ " x 5 ³ / ₁₆ " (270mm x 107mm x 148mm).
Product Weight	2lb, 10 ¹ / ₂ oz. (1.20kg).
Warranty	1 year, plus additional 1 year free when the product is registered.

SV-IB/4000/3V12/IML



TECHNICAL DRAWING



Version 2.0 © Copyright NetVu Limited. 09/17/2019. Design and specification subject to change without notice. E. and O.E.

3855Centerview Dr. – Suite 400 B, Chantilly, VA 20151 USA.

T: +1 703-904-7738 E: custsupport@dedicatedmicros.com www.dedicatedmicros.com

In partnership with

NetVu

PROTECTING YOUR WORLD