

SmartVu 1080p Integrated Bullet Camera – Autofocus Starvis Lens



SmartVu cameras provide excellent image quality for all levels of applications, allowing scenes to be monitored more effectively, and action to be taken quickly and efficiently. With exceptional low-light performance and 120dB wide dynamic range the SmartVu 1080p Starvis Integrated Bullet Camera is ideally suited to outdoor or backlit applications.

WHY SMARTVU?

- ✓ Compliance with the latest Secure by Design guidelines, offering complete immunity from cyber threats.
- ✓ Connect SmartVu cameras over Co-axial or Ethernet cables, offering a lower cost to upgrade legacy analogue video surveillance systems to high definition IP.
- ✓ Automatic discovery and channel allocation of SmartVu cameras by Uniplex recorders with automatic firewall and VLAN configuration for better cyber security.
- ✓ MultiMode™ recording; save up to 50% on storage required for recording.
- ✓ Advanced alarm handling with Uniplex NVRs.
- ✓ NetVu Connected Remote Alarm Reporting.
- ✓ Simple configuration and maintenance with the option of Cloud-based support, further reducing whole-life costs of ownership.
- ✓ NetVu PowerScripts™ for quick and easy integration and customised applications.

KEY FEATURES

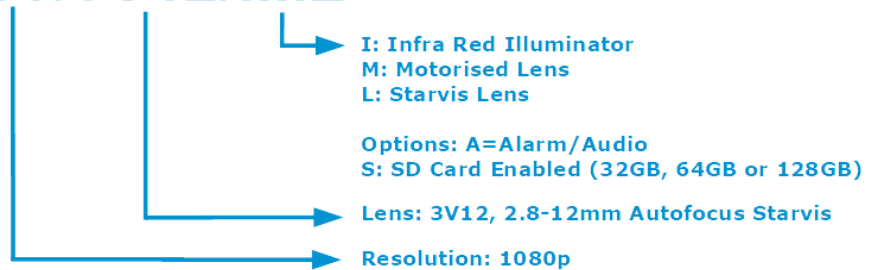
- 1920 x 1080p HD resolution.
- 2.8mm to 12mm motorised, varifocal, auto-iris, lens with remote zoom and auto focus capability.
- Exceptional low light performance (Colour mode at 0.001Lux, F1.2) and 120dB Wide Dynamic Range (dWDR)
- Activity Detection, Video Motion Detection (VMD) and privacy masking included.
- Bi-directional audio capability.
- In-Camera-Recording to µSD card.
- Power Over Ethernet (PoE) or 12V DC power supply for flexible installation.
- 25 metres (82 feet) range integral infrared illuminator for 24-hour operation both indoors and outdoors.
- IP66 Environmental rating for outdoor applications.

Technical Specification		Storage	Internal SD Card Integrated Recording (up to 128GB) ('SXX' Option).
Image Sensors	1/3" 1080p IMX291 Starvis sensor.	Alarms and Relays	1 x Alarm Input. 1 x Alarm Output ('A' Option).
Active Pixels	1920 (H) x 1080 (V).	Alarm Reporting	NetVu Connected Remote Alarm Reporting. SNMP Remote Alarm Reporting.
Effective Pixels	1920 x 1080p.	Analytics	VMD and Activity Detection integrated with Activity Search. Additional Analytics including ANPR via near side servers.
AGC	Automatic and Manual.	Network Protocols	NetVu Connected Advanced Streaming, NetVu Connected Remote Codec, HTTP/HTTPS, TCP/IP, UDP/IP, RTSP/RTP Unicast and Multicast, Telnet/SSH, FTP, PoE, NTP, SNMP, Zeroconf, ModBus, AoE.
Day / Night Operation	Automatic. True Day / Night with IR Cut Filter.	Audio	1 x Audio Input. 1 x Audio Output. ('A' Option).
WDR	dWDR >120dB.	General Specifications and Warranty	
Signal to Noise Ratio	>50dB.	Power	12V DC Terminal Input / PoE Class 3. 15W.
Minimum Illumination	Colour Mode 0.001Lux (F1.2).	IP Rating	IP66.
Electronic Shutter	Automatic or User selectable (1/5 ^{ths} to 1/50,000 ^{ths}). 50 or 60Hz. Software Selectable.	Operating Temperature	-20°C to 60°C (-4°F to 140°F).
Gain Control	Automatic or Fixed. 8dB to 102dB.	Operating Humidity	0% to 90% (Non-condensing).
Light Compensation	BLC / HLC.	Approvals	UKCA and CE marked. Complies with part 15 of FCC CFR47. RoHS Compliant.
Compression	H.264 JPEG/MPEG4 compatible (Up to 5 simultaneous streaming formats).	Product Dimensions	270mm x 107mm x 148mm (10 5/8" x 4 1/4" x 5 3/4").
IR Distance	25m (82').	Product Weight	1.20kg (2lb, 10 1/2oz.)
Interface	One 10M / 100M Self-Adaption Ethernet Port, RJ-45.	Warranty	1 year, plus additional 1 year (registration required).
Lens operation	Motorised Autofocus		
Focal Length	SV-VD/1080/3V12/ 2.8 to 12mm.		

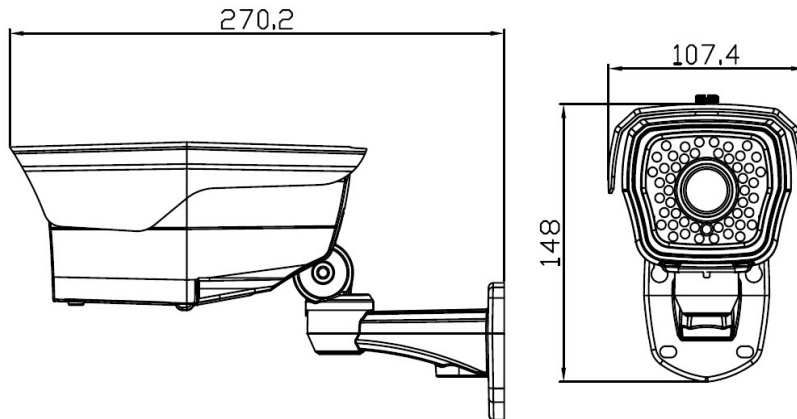
PART NUMBERING

SmartVu Integrated Bullet – Autofocus Starvis Lens

SV-IB/1080/3V12/IML



TECHNICAL DRAWING



Version 1.1 © Copyright NetVu Limited. 16/10/2020. Design and specification subject to change without notice. E. and O.E.
SV/DAT/006/B