

SmartVu 1080p Integrated Bullet Camera – Autofocus Lens



SmartVu cameras provide excellent image quality for all levels of applications, allowing scenes to be monitored more effectively, and action to be taken quickly and efficiently. The SmartVu Integrated Bullet Camera is fully-featured so that it can be used to solve many different problems and is rugged enough for the most demanding installations.

WHY SMARTVU?

- ✓ Compliance with the latest Secure by Design guidelines, offering complete immunity from cyber threats.
- ✓ Connect SmartVu cameras over Co-axial or Ethernet cables, offering a lower cost to upgrade legacy analogue video surveillance systems to high definition IP.
- ✓ Automatic discovery and channel allocation of SmartVu cameras by Uniplex recorders with automatic firewall and VLAN configuration for better cyber security.
- ✓ MultiMode™ recording; save up to 50% on storage required for recording.
- ✓ Advanced alarm handling with Uniplex NVRs.
- ✓ NetVu Connected Remote Alarm Reporting.
- ✓ Simple configuration and maintenance with the option of Cloud-based support, further reducing whole-life costs of ownership.
- ✓ NetVu PowerScripts™ for quick and easy integration and customised applications.

KEY FEATURES

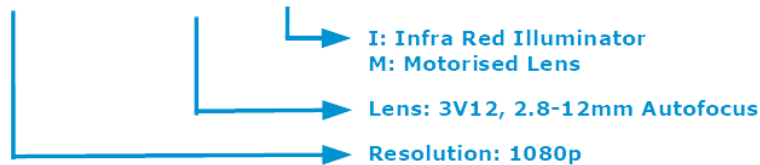
- 1920 x 1080p HD resolution.
- 2.8mm to 12mm motorised, varifocal, auto-iris, lens with remote zoom and auto focus capability.
- Activity Detection, Video Motion Detection (VMD) supported.
- Activity-based video search when used with Enterprise Observer™ software.
- Privacy masking included.
- Power Over Ethernet (PoE) or 12V DC power supply for flexible installation.
- 25 metres (82 feet) range integral infrared illuminator for 24-hour operation both indoors and outdoors.
- IP66 Environmental rating for outdoor applications.

Technical Specification		Focal Length	2.8 to 12mm.
Image Sensors	1/3" 1080p IMX323 CMOS sensor.	Alarm Reporting	NetVu Connected Remote Alarm Reporting. SNMP Remote Alarm Reporting.
Active Pixels	1920 (H) x 1080 (V).	Analytics	VMD and Activity Detection integrated with Activity Search. Additional Analytics including ANPR via near side servers.
Effective Pixels	1920 x 1080p.	Network Protocols	NetVu Connected Advanced Streaming, NetVu Connected Remote Codec, HTTP/HTTPS, TCP/IP, UDP/IP, RTSP/RTP Unicast and Multicast, Telnet/SSH, FTP, PoE, NTP, SNMP, Zeroconf, ModBus, AoE.
AGC	Automatic and Manual.	General Specifications and Warranty	
Day / Night Operation	Automatic. True Day / Night with IR Cut Filter.	Power	12V DC Terminal Input / PoE Class 3. 15W.
WDR	>80dB.	IP Rating	IP66.
Signal to Noise Ratio	>50dB.	Operating Temperature	-20°C to 60°C (-4°F to 140°F).
Minimum Illumination	Colour Mode 0.1Lux (F1.2). B&W Mode 0.01Lux (F1.2).	Operating Humidity	0% to 90% (Non-condensing).
Electronic Shutter	Automatic or User selectable (1/5 ^{ths} to 1/50,000 ^{ths}). 50 or 60Hz. Software Selectable.	Approvals	UKCA and CE marked. Complies with part 15 of FCC CFR47. RoHS Compliant.
Gain Control	Automatic or Fixed. 8dB to 102dB.	Product Dimensions	270mm x 107mm x 148mm (10 5/8" x 4 1/4" x 5 3/4").
Light Compensation	BLC / HLC.	Product Weight	1.20kg (2lb, 10%oz.)
Compression	H.264 JPEG/MPEG4 compatible (Up to 5 simultaneous streaming formats).	Warranty	1 year, plus additional 1 year (registration required).
IR Distance	25m (82').		
Interface	One 10M / 100M Self-Adaption Ethernet Port, RJ-45.		
Lens operation	Motorised Autofocus.		

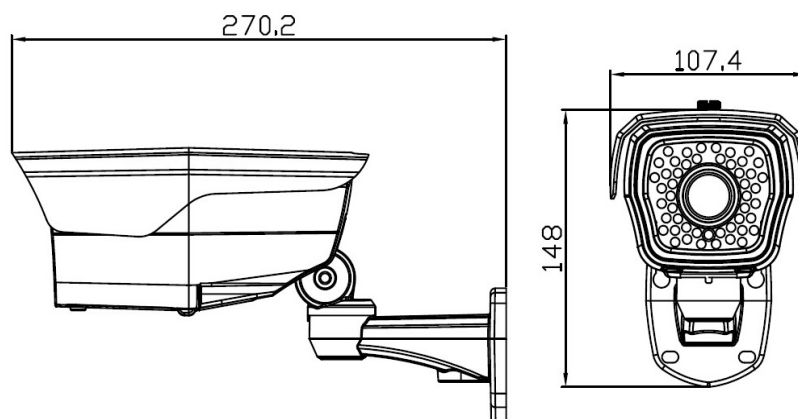
PART NUMBERING

SmartVu Integrated Bullet – Autofocus Lens

SV-IB/1080/3V12/IM



TECHNICAL DRAWING



Version 1.1 © Copyright NetVu Limited. 16/10/2020. Design and specification subject to change without notice. E. and O.E.
SV/DAT/007/B