

FIREVU DETECTORS

Immediate detection is critical to saving lives and protecting business assets from the destructive power of fire. FireVu Video Smoke Detection and patented* Flame Detection technology detects, identifies and analyses smoke and flame to deliver an industry leading solution for immediate fire detection.

In addition to the smoke and flame detection provided by the FireVu Detector, the Multi-Detector adds a thermopile array for additional flame verification with the ability to detect rising temperatures outside normally expected levels.



WHY FIREVU ?

- ✓ Smoke, flame and heat detection, both indoor and outdoor in a single, stand-alone unit.
- ✓ Dual layer smoke detection analytic detects accumulating ambient smoke as well as smoke plumes.
- ✓ Unique colour and intensity-based flame detection analysis results in high detection rate and minimised false triggers.
- ✓ The FireVu Multi-Detector is suitable for internal and external flame detection with zero false positives.
- ✓ Secure video alarm transmission enables visual verification of incidents and enhanced situational awareness through our Enterprise Observer Software.
- ✓ Easy integration with current and legacy fire alarm control panels (FACP).
- ✓ The FireVu platform enables operators to immediately raise an alarm and take appropriate action either on-site or through remote monitoring.

KEY FEATURES

- 16 independent zones for each for heat, smoke and flame detection for flexible application.
- Dynamic zone masking capabilities allow specific conditions to be excluded whilst remaining monitored at all other times.
- Capable of operating two separate sets of detection parameters for different periods to accommodate changes in operational processes.
- The FireVu Multi-Detector has two programmable temperature detection thresholds to differentiate warnings from alarms.
- Alarm reporting using on-board relays and/or monitored loop operation.
- Alarm inputs for systems integration.
- Internal video and data recording provide post-event forensic analysis both locally and remotely over secure internet link.
- NetVu Cloud-based support features that allow complete remote configuration, health-checking, maintenance and support of your system.

*FireVu holds patents for its flame detection algorithm in the UK (GB2535409B), Europe (EP3080788B1) and the USA (US9530074B2).

Technical Specification

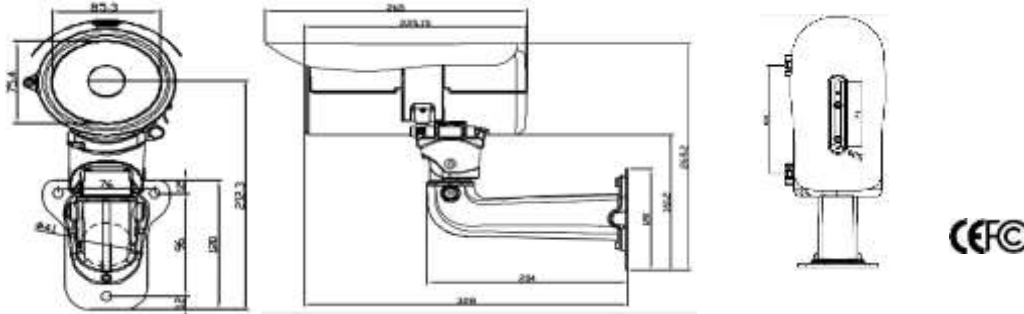
Image Sensor	1/4" CMOS progressive scan.			
AGC	Automatic and Manual.			
WDR	>80Db.			
Signal to Noise Ratio	>50dB.			
Minimum Illumination	20lux or IR flood lights providing even illumination required for smoke detection. Flame detection and thermopile (FVMD) are fully functional in complete darkness.			
Compression	JPEG and MPEG-4.			
Lens Options	Model / Lens	Range	Focal Length	Operation
	FVMD/500/2M4	10m*	85° x 63°	Fixed
	FVD/500/3M5	20m*	54° x 40°	Fixed
	FVD/500/6M0	35m*	34° x 25°	Fixed
	FVMD/500/6M0	35m*	34° x 25°	Fixed
FVD/500/12M0	70m*	17° x 13°	Fixed	
	* Range reference distance based on 300mm x 300mm test pan burning 750ml fuel. Larger fires may be detected at greater range.			
Network Interface	IDC Punch-down Connectors.			
Thermopile Specification (Multi-Detector only)	Field of view	Resolution	Temperature Range	
	6mm lens = 39° 2.4mm lens = 90°	82(h) x 62(v) pixels.	-30°C to 300°C (-22°F to 72°F).	

Storage	Internal SD Card Integrated Recording (max 64GB).
Alarms and relays	4 x non-polarised solid-state relay outputs provided. 1-3 capable of switching 600mA at 60V DC. Relay 4 capable of switching 2.2A @60V DC. Outputs 1-2 also configurable for Loop Monitored fire loop alarms. 2 x Alarm inputs, logic level single ended.
Alarm Reporting	NetVu Connected Remote Alarm Reporting.
Analytics	Flame Detection. Smoke Detection. High /Low Temperature. (Multi-Detector only)
Network Protocols	NetVu Connected Advanced Streaming, NetVu Connected Remote Codec, DCCP, DHCP, HTTP, HTTPS, Ipv4, SMTP, Bonjour, ICMP, DNS, NTP, TCP, UPP, UDP, ICMP, ARP, RTP, Telnet, FTP, AoE, SNMP, Zeroconf, Modbus.

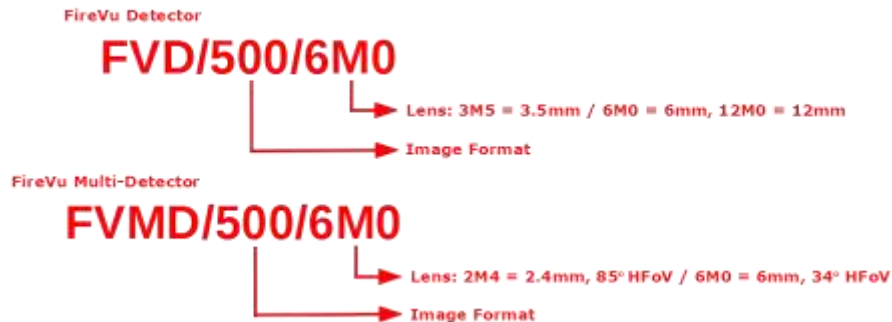
General Specifications and Warranty

Power	12V DC, 24V DC and/or PoE. 4.5 Watts.
Ingress Protection Rating	IP66.
Operating Temperature	Operating: -10°C to 50°C (14°F to 122°F).
Operating Humidity	20% to 80% Relative Humidity (Non-Condensing).
Approvals	CE marked. Complies with part 15 of FCC CFR47. RoHS Compliant.
Product Dimensions	369mm x 270mm x 100mm. (14½" x 10½" x 4").
Product Weight	3.0kg (6lb, 10oz.).
Warranty	1 year, plus additional 1 year (registration required)

TECHNICAL DRAWING



PART NUMBERING



ACCESSORIES

FireVu Annunciator FV2/04
NetVu Network Extender NVSE

NETVU VIDEO MANAGEMENT SOFTWARE

NetVu Pick-a-Point PPW03
NetVu Enterprise Observer ENVO
NetVu Archive Management AMS

Version 1.0 © Copyright NetVu Limited. 04/03/2020. Design and specification subject to change without notice. E. and O.E.